

Tap-Integrated Photo Detector IPD

The IPD is an optical power monitoring device consisting of individual tap-integrated photo detectors. The IPD is very compact and is easily mounted on a PCB for system use. Optical properties are excellent and include a broad wavelength range covering C and L-band with low insertion loss and high sensitivity.

The IPD eliminated the need for an optical fiber coupler/splitter and a photo detector. The IPD provides a simple and low cost solution for optical power monitoring at DWDM, switch and amplifier systems.



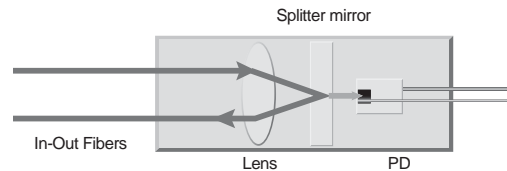
Features

- ▶ High Quality (GR-468-CORE Qualified)
- ▶ Excellent Characteristics
- ▶ Compact Design
- ▶ Custom to Build Available

Applications

- ▶ Power and Channel Monitoring for WDM Systems
- ▶ Power Control Monitoring for Amplifier
- ▶ Optical Monitoring for Switching Systems
- ▶ Supervisory for Equipment Systems

Dimension



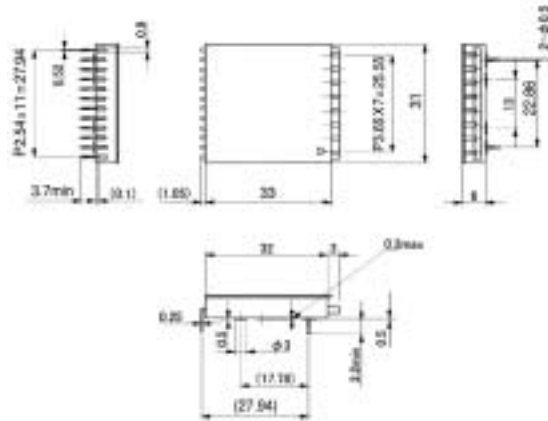
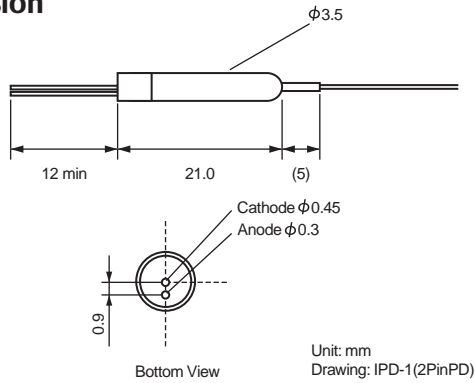
Options

IPD-UW	Operates over a wide wavelength range, 1260-1610nm
IPD-UD	Unidirectional with high PD isolation (>20dB) between input and output ports
IPD-PM	Polarization maintain version with high PER, >20dB
IPD-FL	Integrated filter detects only a selected wavelength range(100, 200GHz etc)
IPD-HS	Low dark current version, 1nA at 70°C
IPD-MM	Designed for multi-mode fiber applications

Specifications

Parameter	Unit		Type				Notes
			S1	S3	S5	S9	
Insertion Loss	Max.	dB	0.5	0.5	0.6	0.8	All Operating Conditions
Return Loss	Min.	dB	45				-
PD Sensitivity	-	mA/W	8 to 20	20 to 40	40 to 70	70 to 120	All Operating Conditions, 5V Bias
Dark Current	Max.	nA	5				70°C, 5V Bias
Reverse Voltage	Max.	V	10				-
Forward Current	Max.	mA	5				-
Wavelength Range	-	nm	1510 to 1610				-
Storage Temperature Range	-	°C	40 to 85				Non-condensation
Operating Temperature Range	-	°C	0 to 70				Non-condensation
Input Optical Power	Max.	dBm	+23	+18	+16	+13	-
Fiber Length	Min.	mm	1000				0.25mm coating SMF
Dimension	-	mm	3.5(D) x 21(L)				IPD-01 2pinPD
			5.45(D) x 24.9(L)				IPD-01 3pinPD
			17.5 x 32 x 6				IPD-04
			31 x 32 x 6				IPD-08
			39 x 32 x 6				IPD-10

Dimension



Ordering Code

IPD - A - B - C - D

A = Channel

01=1ch, 04=4ch, 08=8ch, 10=10ch

B = Type (See Specifications)

S1, S3, S5, S9

C = Connector

00 = No Connector

FS = FC-SPC, FA = FC-APC, SS = SC-SPC, SA = SC-APC,

MU = MU-SPC, MJ = MUJ-SPC, LC = LC-SPC

D = Pin Assignment

Single Type: 2P=2pinPD, 3P=3pinPD

Array Type: AC=Anode Common, CC=Cathode Common, SE=Pin Separate (IPD-04 Only)

www.santec.com E-Mail : sales@santec.com

2005 © SANTEC CORPORATION Santec reserves the right to make changes in equipment design, components or specifications without notice.

April 22, 2005



SANTEC CORPORATION

5823 Ohkusa-Nenjyozaka, Komaki 485-0802, Japan Tel. +81-568-79-1959 Fax +81-568-79-1718

SANTEC U.S.A. CORPORATION

433 Hackensack Ave., Hackensack, NJ, 07601, U.S.A. Toll Free +1-800-726-8321 (santec-1) Tel. +1-201-488-5505 Fax +1-201-488-7702

SANTEC EUROPE LIMITED

Magdalen Centre, Robert Robinson Ave., The Oxford Science Park, Oxford OX4 4GA, U.K. Tel. +44-1865-784960 Fax +44-1865-784961

SANTEC (SHANGHAI) CORPORATION, LIMITED

C, 11/F Hangke Tower, No.92 Yuanshen RD Pudong Shanghai 200120 China. Tel: +86-21-58828060, +86-21-58828061 Fax: +86-21-58828062